

FITTING INSTRUCTIONS

Document Title:

FI-UP005

Application:

Ford Ranger MY22

Ford Everest MY22

Suits diesel vehicles only

Model Number:

UP005BL005

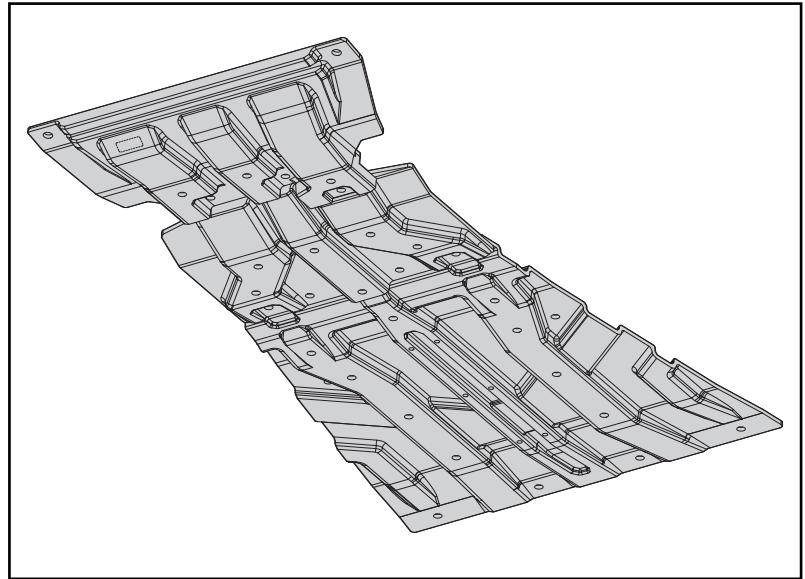
Under Vehicle Armour

Fitting Time:

1 Hour

Revision:

E (19 July 2022)



**PROUDLY
AUSTRALIAN MADE**

Congratulations on purchasing your Under Vehicle Armour.

Warning:

- Do not attach Under Vehicle Armour (UVA) to the vehicle using anchorages not intended for this purpose (e.g. engine mounting bolts).
- Do not use this product for any vehicle make or model, other than those specified by the UVA manufacturer.
- Do not modify the structure of the UVA in any way, unless otherwise instructed.

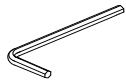
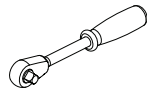
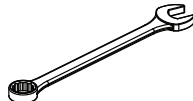
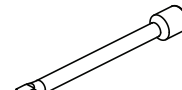
Note:

- Left and Right hand sides of the vehicle and UVA throughout this instruction are from the view of being in the drivers seat looking forward.
- Please take the time to read the instructions before proceeding with fitment of the UVA.
- Ensure all components, as listed in the bill of materials on the back page, are received prior to commencing the fitment. Please retain all hardware until fit-up is complete.
- Ensure these fitting instructions are passed onto the vehicle owner and/or operator.

If you have any queries regarding this product and its installation please contact the retailer it was purchased from.

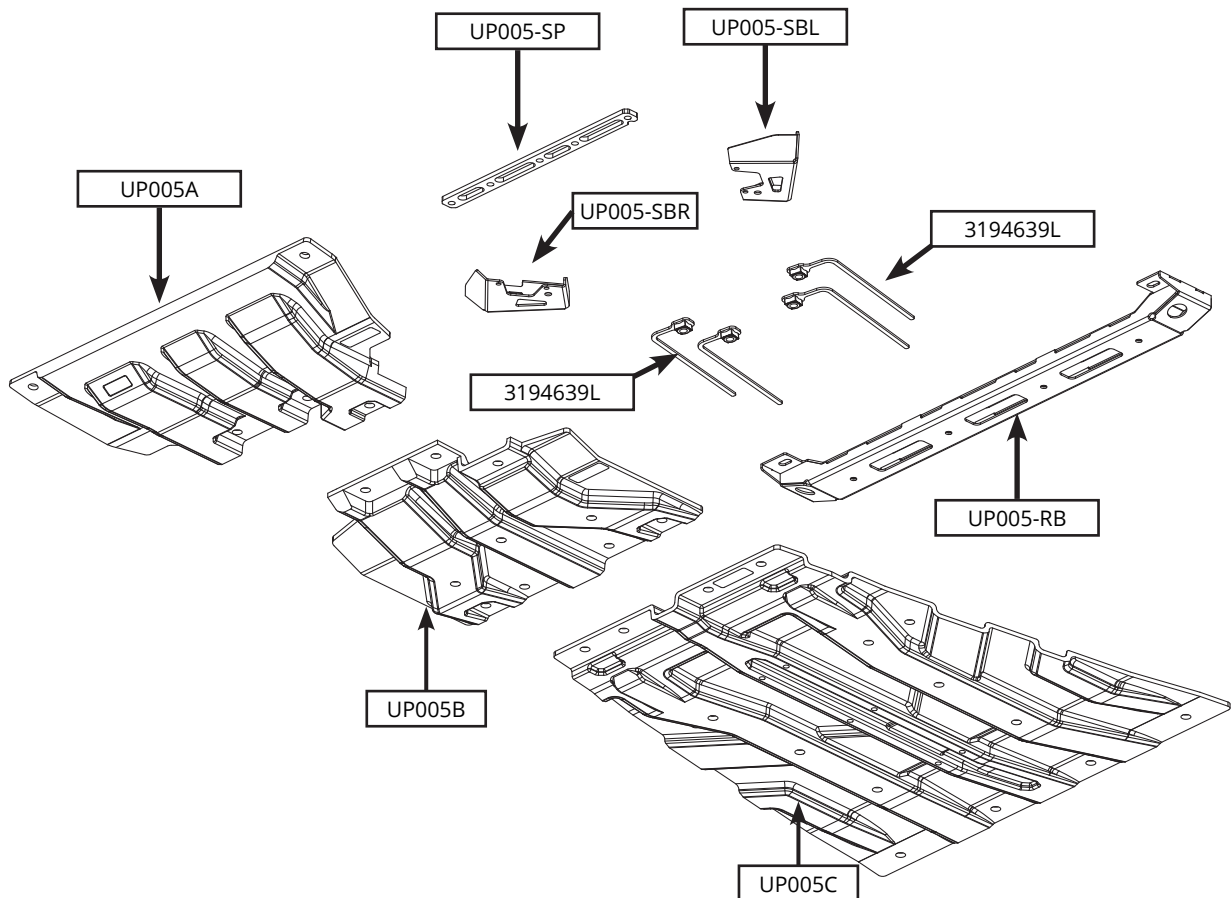
Important information on general care and maintenance:

- While these panels have been engineered for strength and functionality. Care and good judgment should be taken when traversing difficult off-road conditions to minimise damage to panels and vehicle.
- During servicing, when panels are removed, ensure that fasteners are re-fitted to the correct torque specifications.
- Inspect panels visually on a regular basis. Dirt and foreign matter should be washed out to minimise build up around hot components. Exercise with caution when removing foreign matter while the vehicle is hot or running. Replace any components as necessary. This can be done by an Smartbar/ARB stockist.

Tools Required

 Hex Key / Socket
6mm

 Torque Wrench
(20-80Nm)

 Ring Spanner
14/16mm


Socket Extension


 Socket
14,15,16mm

UP005 & Mounting Bracket Overview

Torque Specs (Through Plastic)

Bolt Size	Torque (Nm)	Torque (lb/ft)
M10	25	18

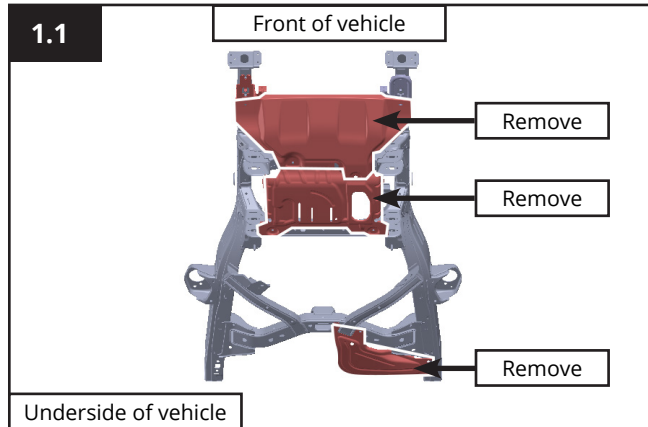
Torque Specs (Metal to Metal Mounts)

Bolt Size	Torque (Nm)	Torque (lb/ft)
M10	44	32
M12	75	55

Step 1: Vehicle Disassembly

1.1 Remove shown sections of the OEM skid pan.

Note: Set aside the 2x short (40mm long) bolts from the kit. These are used in the last step.

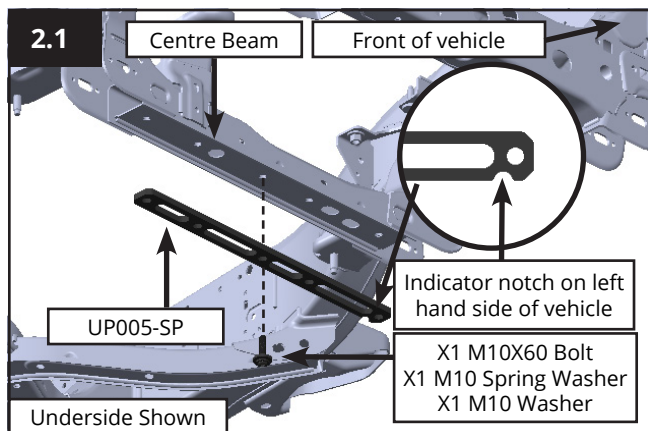


Step 2: Bracket Installation

2.1 Install UP005-SP bracket using hardware shown. Indicator notch to be on left hand side of the vehicle as shown.

Note: Tighten bolt, ensuring that all hole centres are aligned.

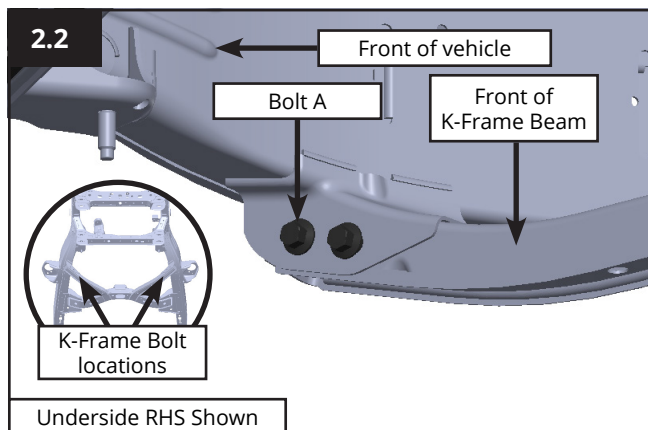
Note: Use indicator notch to align bracket to vehicle.



2.2 Locate K-Frame Bolts as shown and remove Bolt A only.

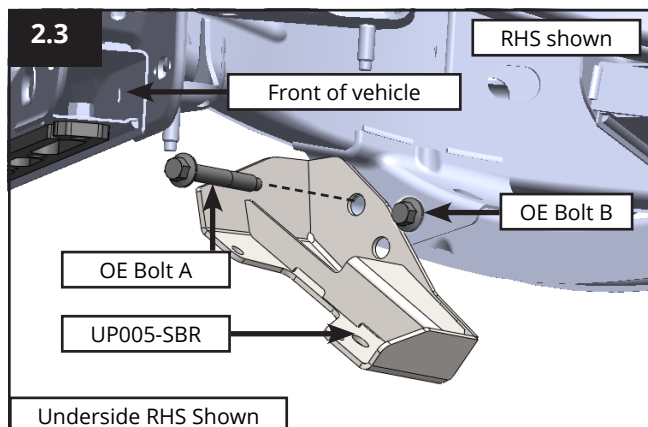
Warning: Do not remove K-Frame or both retaining bolts from the vehicle at any time.

Note: Keep all hardware for re-installation in later steps.

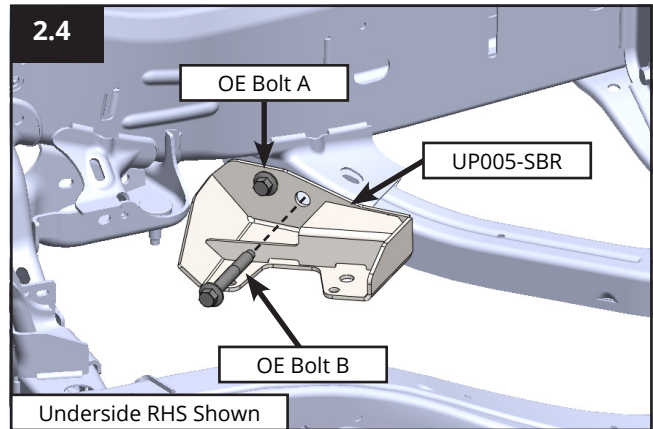


2.3 Fasten UP005-SBR to the K-Frame by re-installing Bolt A removed in previous step.

Keep bolts loose.

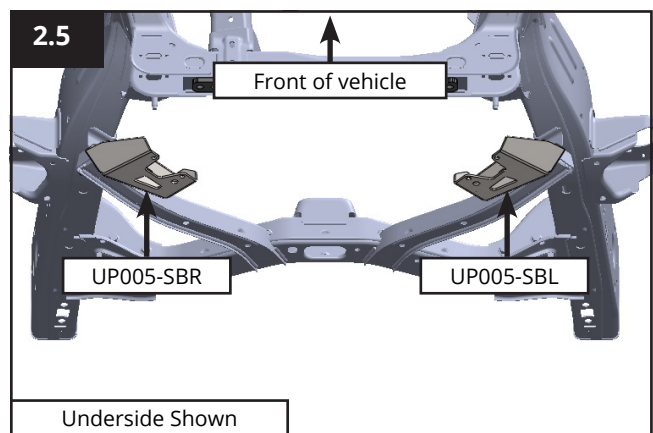


2.4 Remove Bolt B and re-install as shown.



2.5 Repeat steps 2.2 to 2.4 on the left hand side for install of the UP005-SBL.

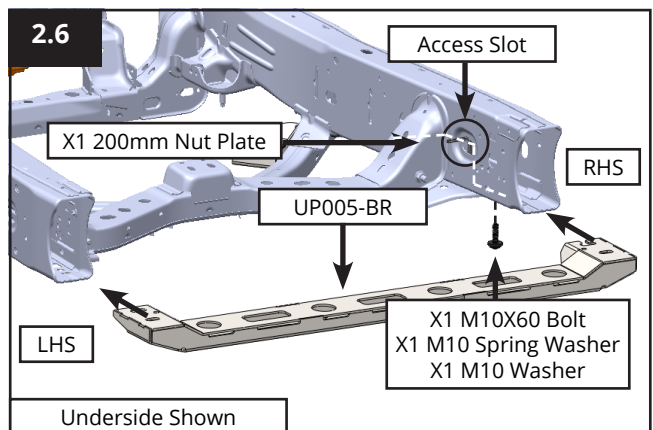
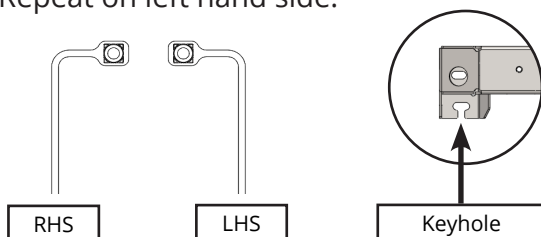
Tighten all 4 bolts to 75Nm (+/- 0.5)



2.6 Bend nut plate and feed through the access slot shown and mount hardware loosely.

2.7 Using the keyhole slot in the UP005-RB, rest the bracket using the installed hardware.

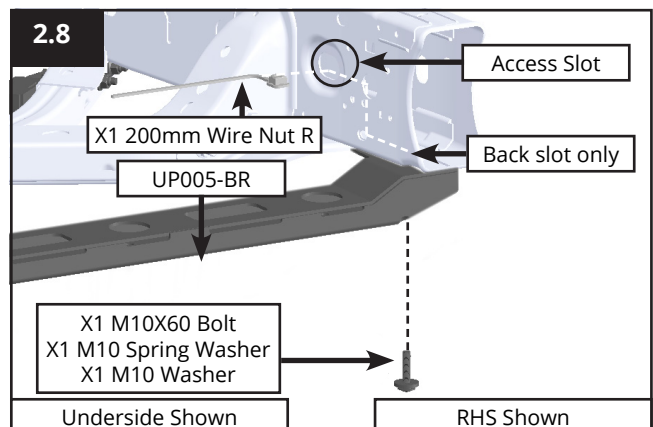
Repeat on left hand side.



2.8 Bend another nut plate, feed through the slot as shown and Fasten UP005-RB to Chassis rail using the supplied hardware.

2.9 Repeat on left hand side.

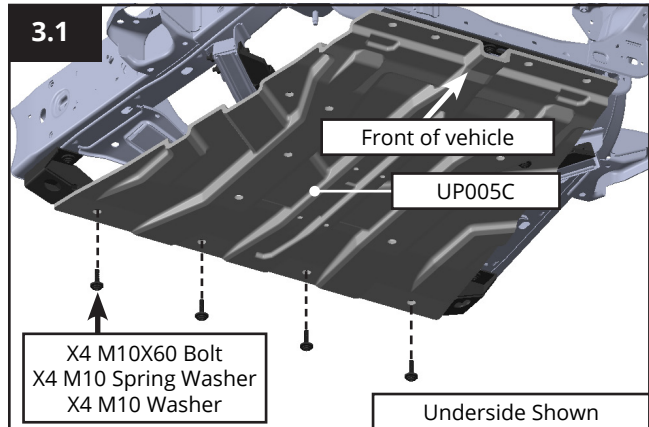
Note: Align the bracket centrally to the vehicle and finger tight bolts.



Step 3: UVA Installation

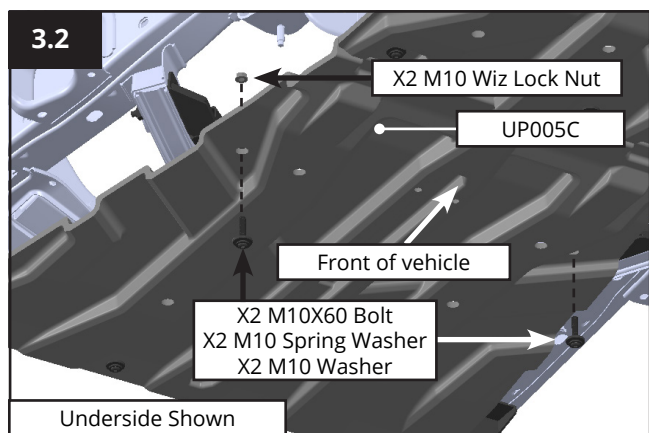
3.1 Install UP005C to the UP005-RB using hardware shown.

Leave hardware loose.



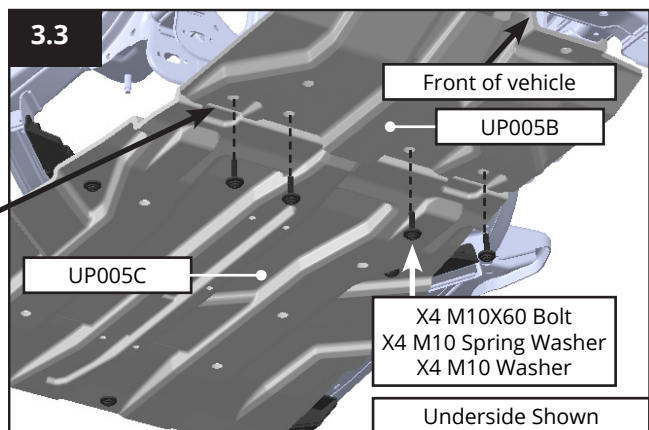
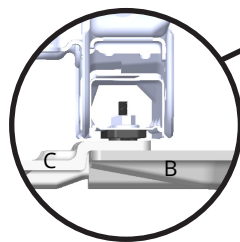
3.2 Install UP005C to the UP005-SBR and UP005-SBL using hardware shown.

Leave hardware loose.



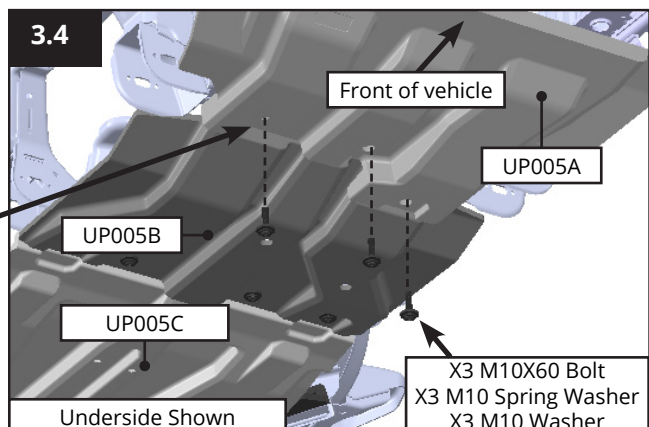
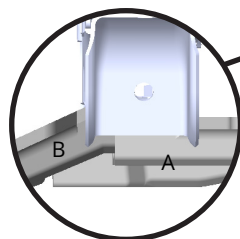
3.3 Install the UP005B up against the UP005C panel to the chassis using the hardware shown.

Leave hardware loose.

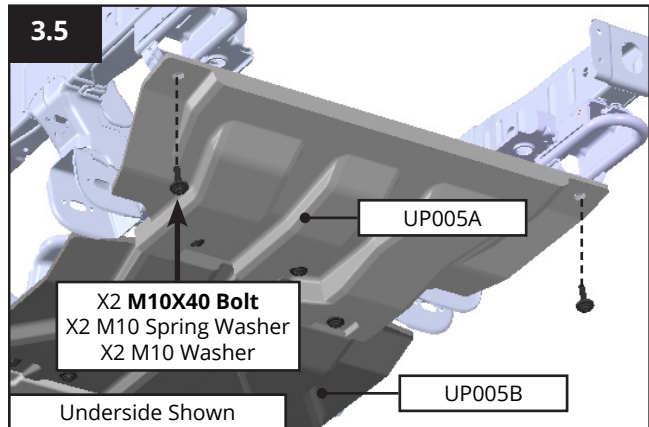


3.4 Install the UP005A up against the UP005B panel to the chassis using the hardware shown.

Leave hardware loose.



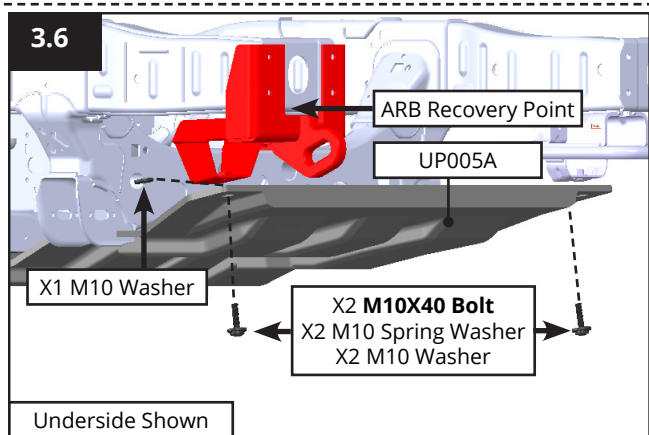
3.5 Fasten UP005A panel onto the OEM tow points, using hardware shown.



ARB Recovery Point Install Only

3.6 If installing one ARB Recovery Point, use a M10 washer between the UP005A panel and the Recovery Point as shown.

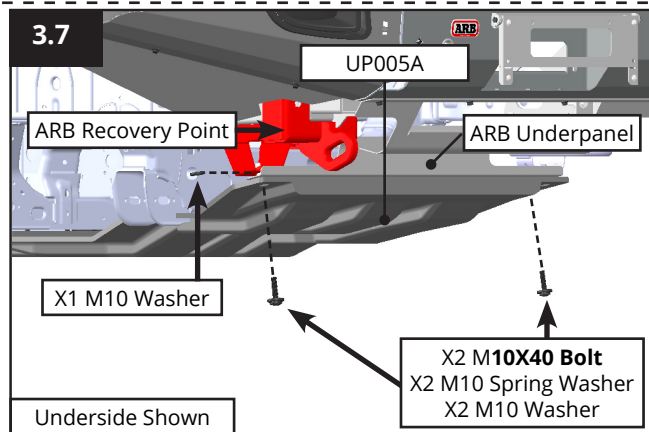
Note: If installing a LH and RH Recovery Point, M10 washer is not required.



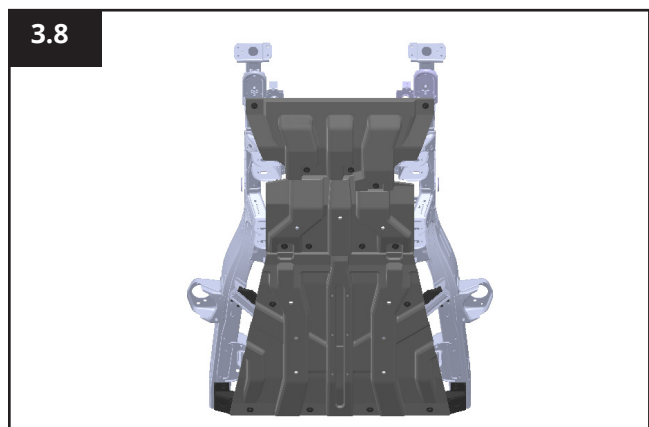
ARB Bull Bar Install Only

3.7 If installing to an ARB Bull Bar. Mount the UP005A panel underneath of the ARB Under panel using the hardware shown. Ensure that M10 washer is inbetween UP005A panel.

Note: If installing a LH and RH Recovery Point, M10 washer is not required.



3.8 Fully tighten all hardware from previous steps.



Torque Specs (Through Plastic)		
Bolt Size	Torque (Nm)	Torque (lb/ft)
M10	25	18

Torque Specs (Through Steel)		
Bolt Size	Torque (Nm)	Torque (lb/ft)
M10	44	32

Install complete.



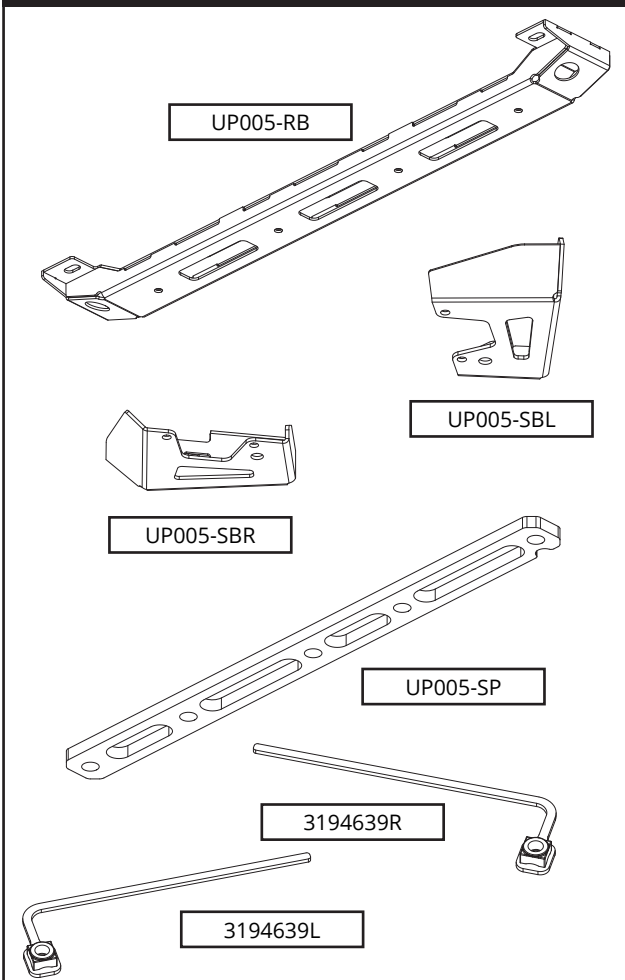
4X4 ACCESSORIES

THIS PAGE HAS BEEN LEFT BLANK
INTENTIONALLY

UP005BL005

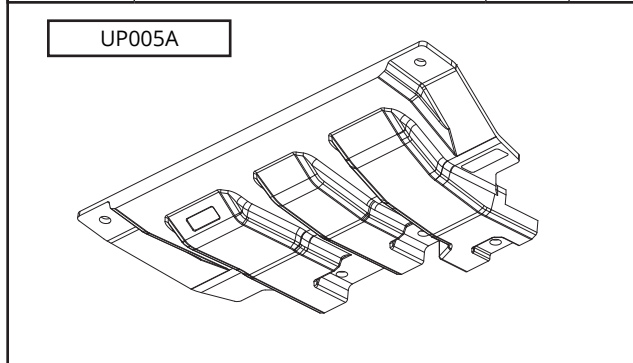
Code	Description	Qty	OK
UP005ABLASSY	UVA Part A	1	
UP005BBLASSY	UVA Part B	1	
UP005CBLASSY	UVA Part C	1	
UP005BK			
MM81108	UP005-RB	1	
MM81109	UP005-SP	1	
MM81110	UP005-SBL	1	
MM81111	UP005-SBR	1	
3194639R	Plate Nut Right 200mm	2	
3194639L	Plate Nut Left 200mm	2	
UP005HWK			
BP80593	M10x60 Button Head Socket Screw	17	
BP80592	M10x40 Button Head Socket Screw	2	
BP80542	M10 Washer Flat- 30 - Black	20	
BP38750	M10 Spring Washer - Black	19	
BP1125	M10 Wiz Lock Nut	2	
Packed By		Date	

UP005BKA



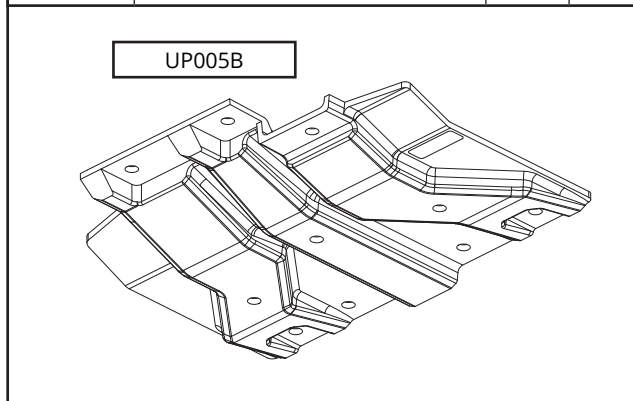
UP005ABLASSY

Code	Description	Qty	OK
UP005A	UVA Part A Front	1	
BP80719	Badge ARB 62X23mm Lensed	1	
Packed By		Date	



UP005BBLASSY

Code	Description	Qty	OK
UP005B	UVA Part B Middle	1	
Packed By		Date	



UP005CBLASSY

Code	Description	Qty	OK
UP005C	UVA Part C Rear	1	
Packed By		Date	

